



# PLO/IR

APPROVED INSULATED PALLETISED  
CONTAINER WITH HEATING OR  
COOLING JACKET

**AZZINI**

# PLO/IR APPROVED INSULATED PALLETISED CONTAINER WITH HEATING OR COOLING JACKET

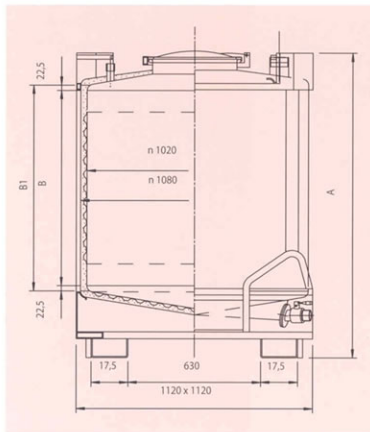
The PLO container conforms to the regulations as laid down in section 16 UN-APP. IV RID, APP. A.6 ADR and IMDG code for the transportation of dangerous liquids with a density not exceeding 1.5 kg/l, packing groups II and III having a vapour pressure not exceeding 110 kPa at 50°C.

## TECHNICAL PARTICULARS AND STANDARD COMPONENTS

- Inner and outer tank in AISI 304 or 316 cold-rolled stainless steel
- Moulded bases
- Special cavity for heating or cooling liquid flow
- PU foam heat insulation
- DN 400 manhole with rapid lever or screw closing
- 1 1/2" - 2" - 2 1/2" stainless steel unloading ball valve
- 0,5 Bar calibrated overpressure valve
- 2" upper nozzle with plug
- Modular galvanized cage

## OPTIONAL ACCESSORIES

- Upper nozzle from 1/2" to 2 1/2"
- Vacuum breaker valve
- Moving part leading device (if required)
- Double action safety valve



	PLO/IR 650	PLO/IR 850	PLO/IR 1000
A	1250	1500	1750
B	750	1000	1250
CAPACITY LT.	670	875	1050
WEIGHT Kg*	200	240	280

\* Weights are indicative.

The information contained in this leaflet is subject to change, without notice, at the discretion of the manufacturer.



**AZZINI**