

# PL PALLETISED CONTAINER

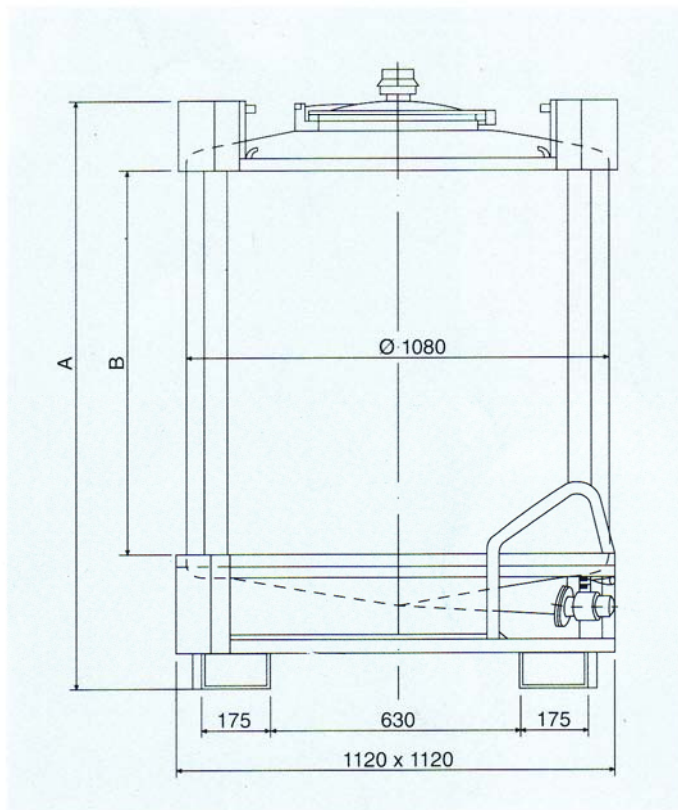
The PL palletised container is particularly recommended for the transportation, storage and movement of foodstuff liquids (or other types of liquids) which are not subject to restrictive laws.

## TECHNICAL PARTICULARS AND STANDARD COMPONENTS

- AISI 304 or 316 cold-rolled stainless steel tank
- Moulded bases
- DN 400 manhole with rapid lever or screw closing
- 1"½ - 2" - 2"½ - 3" unloading nozzle
- Modular galvanized cage

## OPTIONAL ACCESSORIES\*\*

- Stainless steel ball or butterfly valve
- Double-acting safety valve
- Stirrers



|                     | PL<br>500 | PL<br>750 | PL<br>995 | PL<br>1000 | PL<br>1250 |
|---------------------|-----------|-----------|-----------|------------|------------|
| <b>A</b>            | 980       | 1230      | 1450      | 1480       | 1730       |
| <b>B</b>            | 500       | 750       | 970       | 1000       | 1250       |
| <b>CAPACITY LT.</b> | 565       | 794       | 997       | 1023       | 1251       |
| <b>WEIGHT Kg*</b>   | 120       | 130       | 140       | 140        | 155        |

\*\*The complete range of accessories is shown in the appropriate leaflet.

\* Weights are indicative.

The information contained in this leaflet is subject to change, without notice, at the discretion of the manufacturer.